



16' x 30' Rectangle

Choice of GLI or McEwen Liner

\$13,399 includes safety cover

Depth: Choice of Flat/Modified Hopper

Center End Step

Ltd Lifetime Warranty to Original Purchaser

18' x 40' Rectangle

Choice of GLI or McEwen Liner

\$14,449

Choice of Hopper / Depth

Center End Step

4.6.17 v.1

Ltd Lifetime Warranty to Original Purchaser



19' x 36' Grecian

Choice of GLI or McEwen Liner

\$13,949

Choice of Hopper / Depth

Center End Step

Ltd Lifetime Warranty to Original Purchaser



18' x 43' x 28' True L

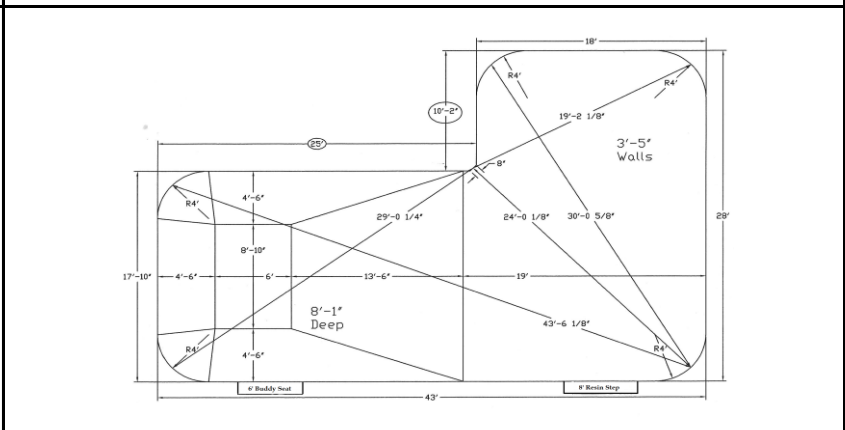
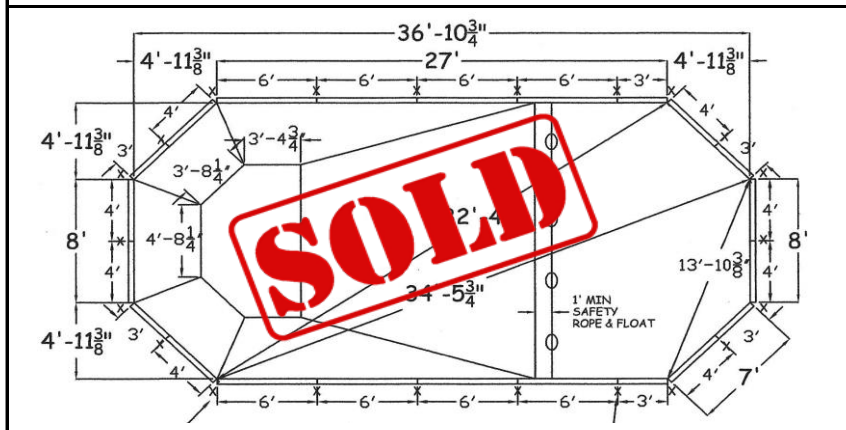
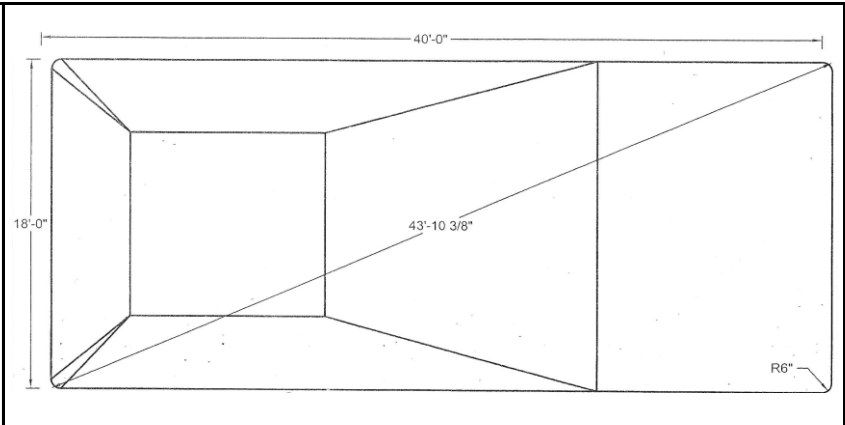
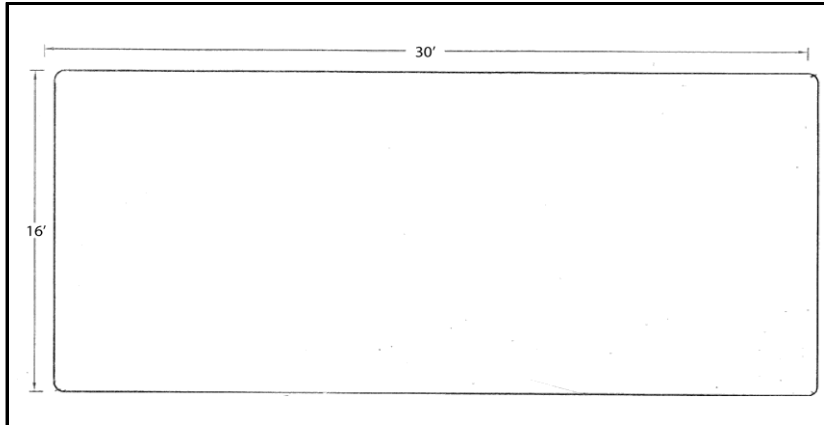
Choice of GLI or McEwen Liner

\$18,599 includes safety cover

Choice of Hopper/ Depth

8' Step and 6' Buddy Seat

Ltd Lifetime Warranty to Original Purchaser



Pool Kits Include: Hayward Filtering System, Standard Light, Season Supply of Frog Mineral System, Solar Cover, Vacuum Set, Test Kit, Step (as listed in pool description), White CP Coping

Additional Costs would Include: Installation, Gravel for Sidewalk Support, Concrete Sidewalk, Custom Lighting, Custom Coping, Heating Options, Diving Boards, Slides, and Safety Cover
